

Thermo Scientific AquaSensors AnalogPlus Dissolved Ozone Sensor

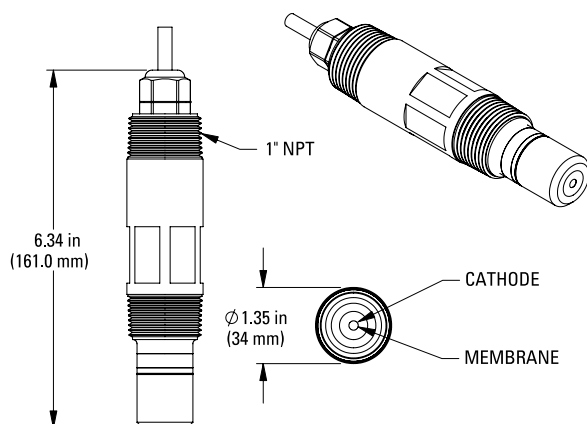


AquaSensors AnalogPlus™ Ozone Sensor

- Polarographic sensor designed for continuous use in the most demanding industrial applications
- Replacement membrane caps for long life
- 0 to 10 ppm measurement range
- 0.01 ppm resolution
- Cost effective solutions for use with AV88 Universal Analyzer

Markets/Applications

- Drinking water treatment
- Wastewater treatment
- Food and beverage sanitization
- Bottled water production
- Packaged water systems
- Pulp & paper bleaching
- Pharmaceutical
- Cooling water
- Semiconductor wash water



Engineering Specifications

1. The ozone sensor shall use three-electrode polarographic Clark cell technology consisting of a silver reference electrode, a silver anode and a gold cathode.
2. The sensor shall have hex-shaped wrench flats to facilitate mounting, and shall be constructed of a material with exceptional chemical resistance and mechanical strength. This material shall enable the sensor to be installed in metal fittings without leakage usually caused by heating and cooling cycles when dissimilar materials are threaded together.
3. The sensor shall have 1 inch NPT threads on both ends to mount into a standard 1 inch pipe tee, a 1.5 inch union mounting, sanitary tee, or low-flow assembly.
4. The built-in electronics of the sensor shall be completely encapsulated and O-ring sealed for protection from moisture and humidity.
5. The sensor shall have an integral temperature sensor to automatically compensate measured values for changes in process temperature.
6. Replaceable membrane caps shall have pre-installed 50 micron thick gas permeable membrane.
7. The sensor is the Thermo Scientific AquaSensors AnalogPlus Dissolved Ozone.

Thermo Scientific AquaSensors AnalogPlus Dissolved Ozone Sensor

- Global support — with experience that comes from supporting our customers for over 35 years throughout the world, our water quality specialists and customer support teams offer a quick, thorough and professional response to any problem encountered.
- Focus on user benefits — we work closely with you to define your needs, and ensure you are using the monitor in a way that improves your bottom line. For more information, contact your local water quality specialists or visit www.thermo.com/processwater.

Dissolved Ozone Sensor Specifications

Measurement System Performance†	Range: 0 ppm – 10 ppm Resolution: 0.01 ppm Accuracy: 2% Step Response Time: 90% in < 90 seconds
Operational Environment	PEEK Sensor Head Temperature Range: –5 °C to 50 °C Maximum Pressure: 65 psig @ 50 °C
Construction	Three Electrode Polarographic: Clark cell; gold cathode, silver anode, silver reference Membrane Cap Assembly (replaceable): PFA Teflon® O-rings: Viton® (other materials available) Sensor Head Material: PEEK Weight: 0.5 lbs.
Approvals	Meets CE requirements for heavy industrial use

†Note: Typical at 25°C with 20 feet of cable

Dissolved Ozone Sensor Ordering Information

Part No.	Description
SZ-b-t-x-y-z-u	Dissolved Ozone Sensor
Body Material (b)	3 = PEEK
Electrode Type (t)	1 = Gold/Silver
Sensor Tip (x)	B = Process Flat C = Face Seal for Flow Chamber
Filling Solution (y)	1 = Standard
Membrane (z)	A = PFA Teflon
Cable Length (u)	1 = 10 feet 2 = 20 feet 3 = 30 feet

Accessories Ordering Information

Part No.	Description
Local Display Interface	
AV88	Universal Analyzer; 1/4 DIN, Outputs, Relays, Digital Communications Options
Ozone Membrane Replacements Caps	
DMR08-Z	PEEK Process Flat
DMR04-Z	PEEK Face Seal
SBC01	Storage Cap with Sponge
Ozone Solutions	
RD0K2	Ozone Electrolyte, 60 mL Bottle
Mounting Hardware	
MH3011	1 Inch Tee Mounting, 316 Stainless Steel
MH3041	1.5 Inch Union Mounting, 316 Stainless Steel
MH1111	1.5 Inch Ball Valve, 316 SS, Low Pressure
FC001	Flow Chamber with Mounting Plate and PVDF Fittings
FC002	Flow Chamber with Mounting Plate and 316SS Fittings

Consult factory for additional configurations and accessories.



Thermo Scientific AV88 Universal Analyzer

Connects to any AnalogPlus sensor using plug-in module. 2 line display and 7 key navigation. Data reporting with up to 2 current outputs. 2 Form C relays. Digital communications.

©2008 Thermo Fisher Scientific Inc. All rights reserved. ® Teflon and Viton are registered trademarks of E. I. Du Pont De Nemours & Company. All other trademarks are the property of Thermo Fisher Scientific Inc. and its subsidiaries.



S-ASAP0ZNE-E 1108 RevA